

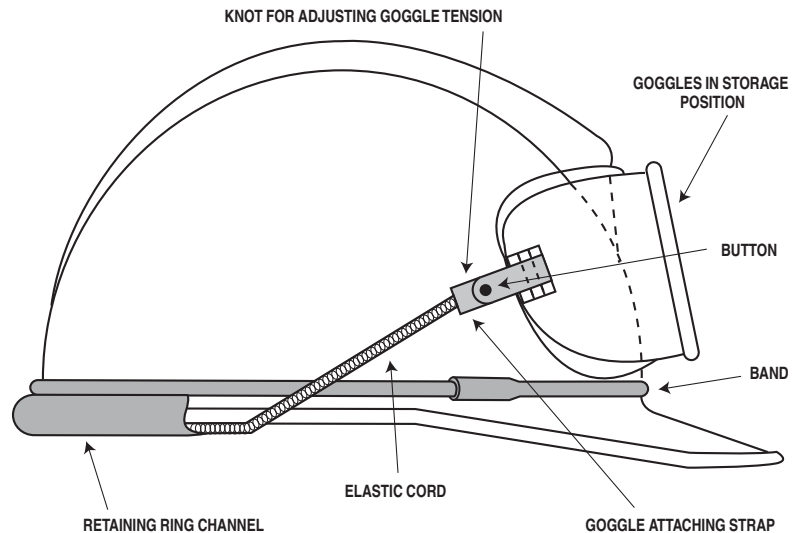
INSTALLATION INSTRUCTIONS

CAP MODEL NO. GR9652

INSTRUCTIONS

1. Place retaining ring over top of cap and position channel over back edge. Pull band down front of cap (see illustration).
2. Remove and discard the elastic headband or strap from your existing goggles.
3. Attach goggles to goggle retainer by sliding attaching strap through headband slots of goggles (both sides) and button strap closed (see illustration).
4. Verify fit and retention before using.

NOTE: More tension may be applied to the goggles by shortening the distance between the knots of elastic cord. Cut off excess cord when proper tension is reached. (Caution: make sure goggles will reach the storage position after adjusting tension). To eliminate a gap at the temple, remove the elastic cord from the goggle retaining ring and rethread the elastic cord through the desired alternate slot on each end of the retaining ring tube. Reconnect the goggle attaching strap (refer to step 3).

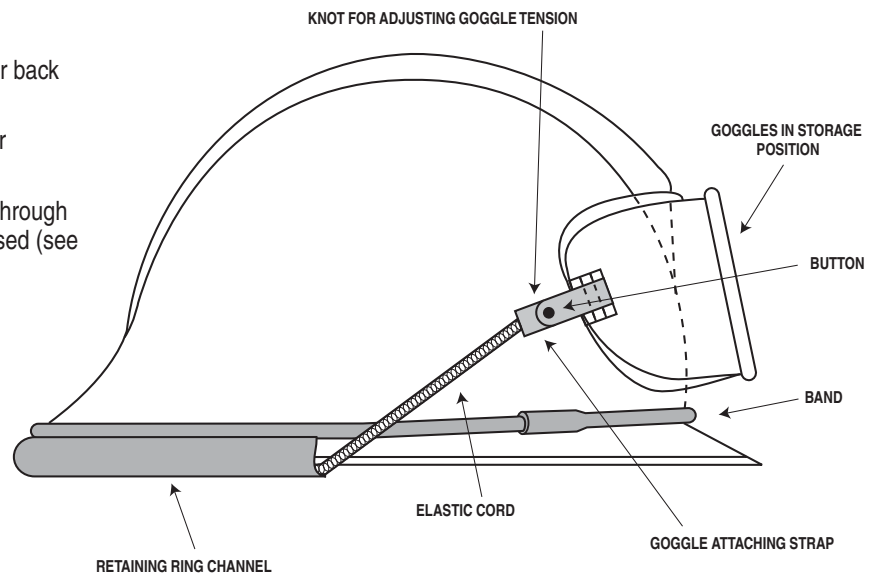


HAT MODEL NO. GR9662

INSTRUCTIONS

1. Place retaining ring over top of hat and position channel over back edge of brim. Pull band down front of hat (see illustration).
2. Remove and discard the elastic headband or strap from your existing goggles.
3. Attach goggles to goggle retainer by sliding attaching strap through headband slots of goggles (both sides) and button strap closed (see illustration).
4. Verify fit and retention before using.

NOTE: More tension may be applied to the goggles by shortening the distance between the knots of elastic cord. Cut off excess cord when proper tension is reached. (Caution: make sure goggles will reach the storage position after adjusting tension). To eliminate a gap at the temple, remove the elastic cord from the goggle retaining ring and rethread the elastic cord through the desired alternate slot on each end of the retaining ring tube. Reconnect the goggle attaching strap (refer to step 3).



MADE IN USA

WARNING! WARNING! WARNING!

- Goggles will come off and eye protection will be eliminated if helmet becomes dislodged or is knocked off the wearer's head. Wear helmet chin straps or retain goggles separately from helmet if this potential exists.
- Do not use where contact with direct or open flame exists.
- Manufacturer and/or distributor cannot guarantee performance because we are unable to control and assure proper use.

FAILURE TO COMPLY WITH THE ABOVE CAUTION CAN CAUSE LOSS OF EYE PROTECTION AND RESULT IN EYE INJURY.

CHECKERS®

INDUSTRIAL SAFETY PRODUCTS, INC.

www.checkersindustrial.com

620 COMPTON ST • BROOMFIELD, CO 80020

PH: 720-890-1187 • FAX: 720-890-1191 • TOLL FREE: 800-438-9336

#ZIS-GR
Ver: 2/09